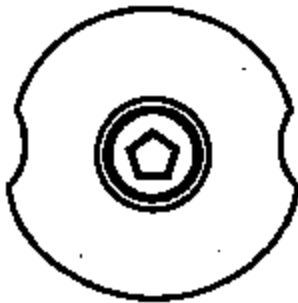
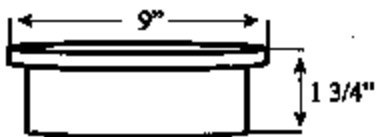


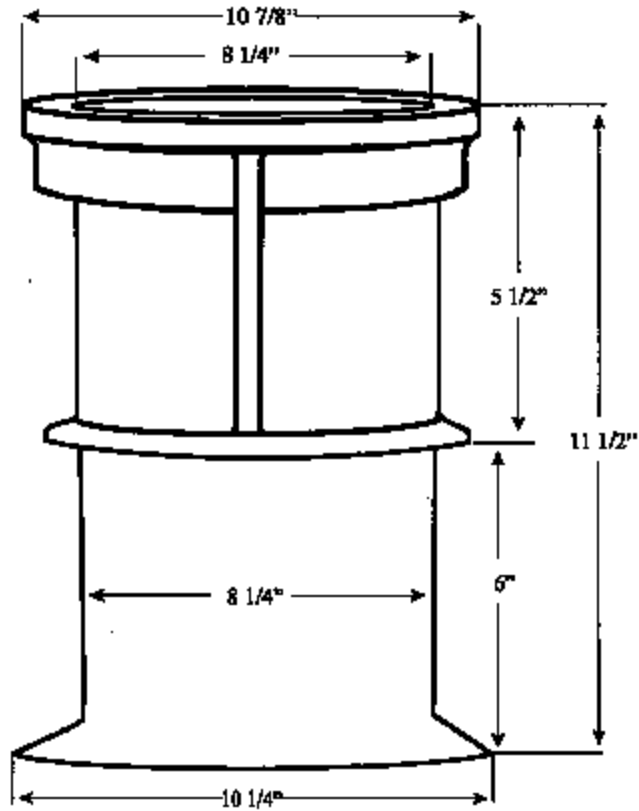
**SEWER CLEANOUT  
TOP INTERIOR VIEW**



**CAP TOP VIEW**



**CAP SIDE VIEW**



**SEWER CLEANOUT  
SIDE VIEW**

## Locking SEWER Cleanout

Casting conforms to:  
ASTM specification A-48 Class 30

ABS shaft conforms to:  
ASTM specification D-1788

CAST IRON CLEANOUT COVERS SHALL BE  
AS MANUFACTURED BY VALVCO, INC. OR  
APPROVED EQUAL.

**YORKVILLE-BRISTOL  
SANITARY DISTRICT**

CAST IRON CLEANOUT COVER

DESIGNED	JWF	APPROVED	PFM	SCALE	NTS
DRAWN		DATE	10/9/06		STD-012