

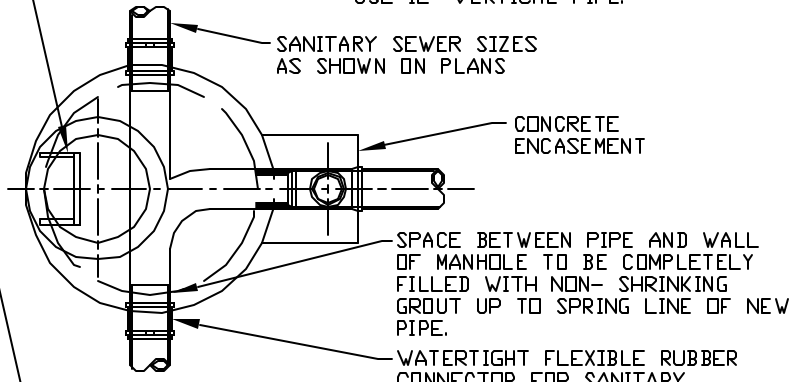
PLASTIC MANHOLE STEPS 1'-4" O.C.
M.A. INDUSTRIES CAT. NO. M.A. PS IPF
OR APPROVED EQUAL.

CAST IRON MANHOLE FRAME AND
SOLID LID, LID WITH CONCEALED
PICKHOLE AND WATERTIGHT GASKET
NEENAH FDY. CO. CAT. # R-1712,
E. JORDAN IRON WORKS CO. CAT. #
1050-Z (HAVING A MIN. WEIGHT OF
360 LBS.) WITH HEAVY DUTY
COVER. SET FRAME IN BUTYL ROPE.

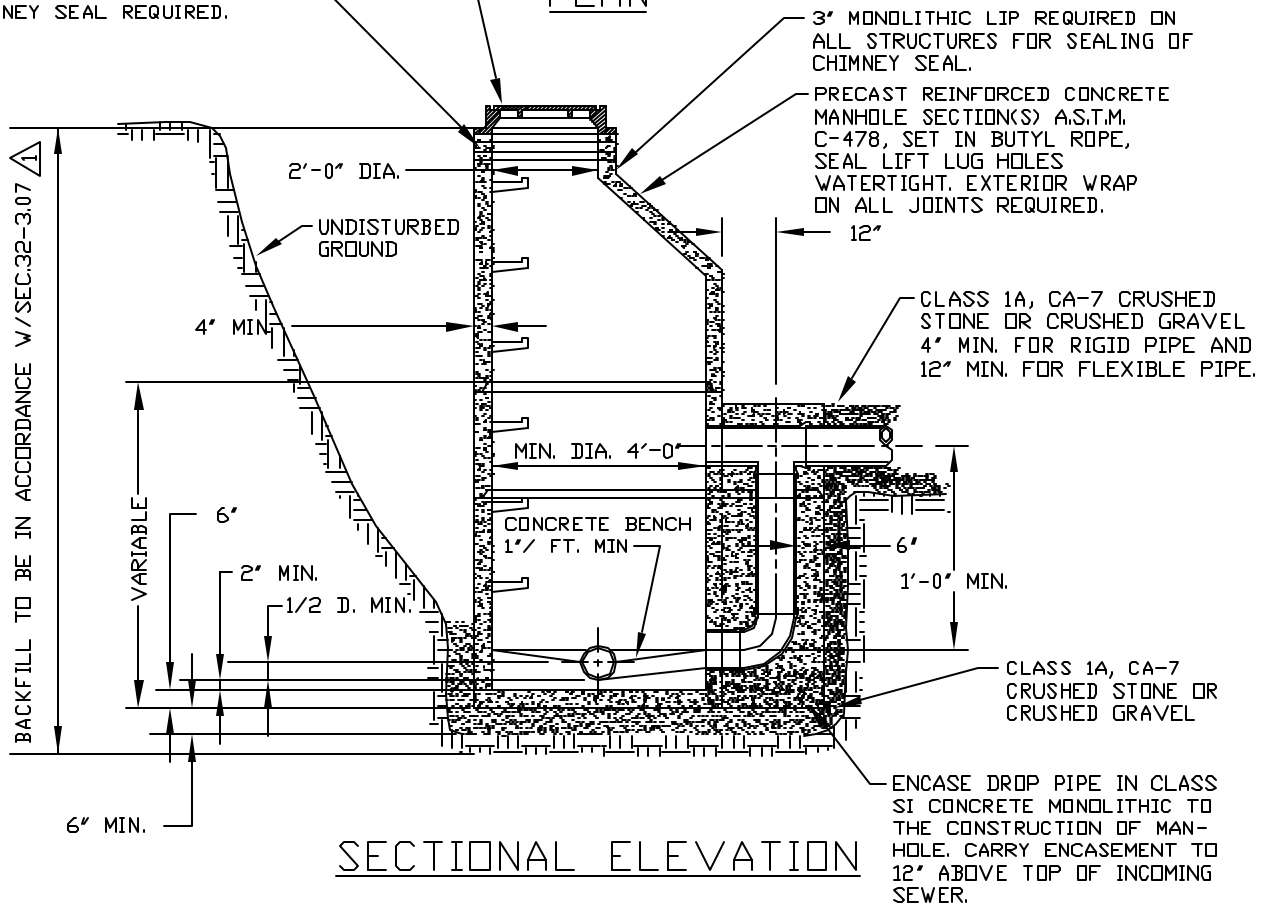
8" MAX. THICK PRECAST
CONCRETE ADJUSTING RINGS
UNDER C.I. MANHOLE FRAME
SET IN BUTYL ROPE. EXTERNAL
CHIMNEY SEAL REQUIRED.

THE WORD "SANITARY" SHALL BE
CAST IN THE LID OF ALL DISTRICT
OWNED SANITARY SEWERS. WORDING ON
LIDS OF ALL MUNICIPAL OWNED
SANITARY SEWERS SHALL BE PER THE
APPROPRIATE MUNICIPALITY.

FOR INCOMING SEWER LESS THAN 12"
USE VERTICAL PIPE OF SAME DIA.;
FOR INCOMING SEWER 12" OR GREATER
USE 12" VERTICAL PIPE.



PLAN



SECTIONAL ELEVATION



REFERENCE STANDARD SPECIFICATIONS
FOR WATER AND SEWER MAIN CONSTRUCTION
IN ILLINOIS (FIFTH EDITION)

BENCH SHALL BE CONSTRUCTED OF CLASS SI CONCRETE

**YORKVILLE-BRISTOL
SANITARY DISTRICT**

**DROP MANHOLE/
NEW CONSTRUCTION**

DESIGNED	JWF	APPROVED	PFM	SCALE	NTS
DRAWN		DATE	10/9/06		STD-007