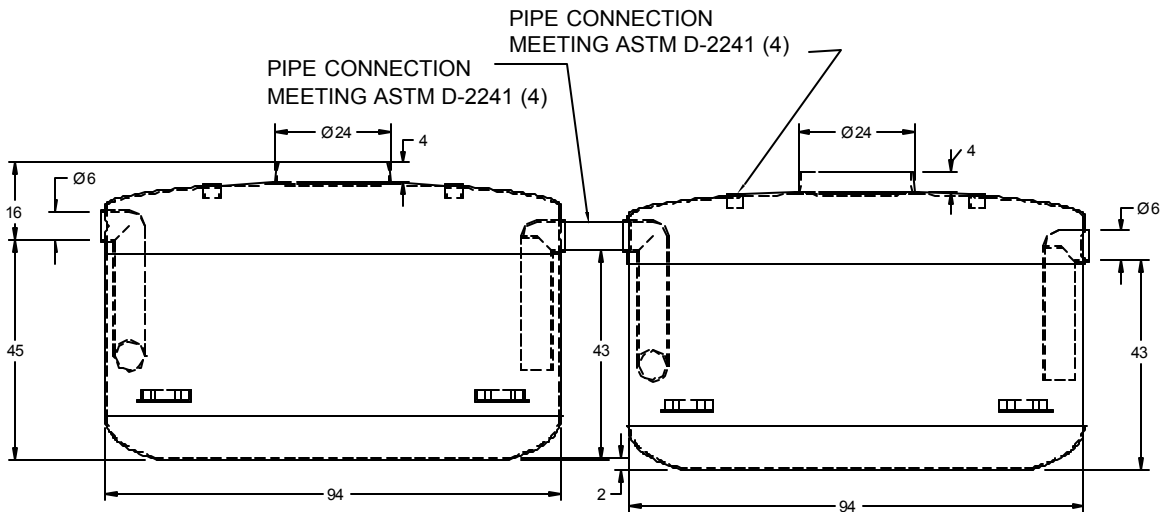


**TOP VIEW**



**ALL TANKS SHALL BE VENTED INTERNALLY TO THE BUILDING VENT SYSTEM AND SHALL BE INSPECTED BY THE YORKVILLE-BRISTOL SANITARY DISTRICT.**

**NOTES:**

1. FOR GRAVITY APPLICATIONS ONLY.
2. ALL UNITS SHALL BE MANUFACTURED WITH FIBERGLASS REINFORCED PLASTICS. PHYSICAL CHARACTERISTICS AND THICKNESS: ISOTHALIC POLYESTER RESIN AND E GLASS ASTM D 883-ULC THIRD PARTY TESTED. MINIMUM THICKNESS 1/4" WALL AND 3/8" TOP AND BOTTOM BOWLS. MINIMUM ULTIMATE TENSILE STRENGTH , 12,000PSI  
MINIMUM FLEXURAL STRENGTH, 19,000PSI  
MINIMUM FLEXURAL MODULUS, 800,000PSI  
MINIMUM BURIAL DEPTH = 18" FOR NON TRAFFIC RATED AND  
MINIMUM BURIAL DEPTH = 30" FOR TRAFFIC RATED (GRADE TO INVERT OF INLET)  
MAXIMUM BURIAL DEPTH = 6 FEET (FOR DEEPER INSTALLATIONS CUSTOM REINFORCEMENT MAY BE REQUIRED)
3. ALL UNITS ARE TO BE INSTALLED IN ACCORDANCE WITH THE MANUFACTURERS INSTALLATION INSTRUCTION.
4. SEE MANUFACTURER'S INSTALLATION INSTRUCTION FOR H2O TRAFFIC LOADING.
5. ALL INTERNAL PIPING IS SDR 35 PVC SEWER MATERIAL WITH EXTERNAL SDR 26 ADAPTORS.
6. ALL UNITS COME STANDARD WITH 6" INLET AND OUTLET (OTHER CUSTOM SIZES AVAILABLE).
7. EXTENSION COLLAR TO BE ORDERED TO FINISHED GRADE, CUT ON SITE FOR FINAL ADJUSTMENT AND CAULKED WITH SIKAFLEX BY CONTRACTOR.
8. COVERS AVAILABLE FOR H2O TRAFFIC LOADING, PEDESTRIAN LOADING OR ABOVE GROUND INSTALLATION.
9. 30 YEAR WARRANTY AGAINST LEAKS, AND STRUCTURAL FAILURE.

GMC 1500(2) FM GALLON INTERCEPTOR	
6" INLET & OUTLET	
24" MANWAY	
ALL DIMENSIONS IN INCHES	
TOTAL WET VOLUME:	1500 GAL
MAX. GREASE CAPACITY:	708 GAL
MAX SOLIDS CAPACITY:	644 GAL
PEAK FLOW RATES	
PDI PERFORMANCE:	500 GPM
<small>(CAUTION PDI MAY NOT MEET FOG DISCHARGE LIMIT OF 100 MG/L AND 300 MG/L OF SOLIDS ENFORCED BY LOCAL SEWER AUTHORITIES)</small>	
LESS THAN 100 MG/L FOR FREE FAT, OIL, GREASE:	300 GPM
<small>*CONSULT LOCAL AUTHORITIES FOR MINIMUM SIZE OF SEPARATORS</small>	

**YORKVILLE-BRISTOL  
SANITARY DISTRICT**

**EXTERNAL GREASE TRAP  
1500 GALLONS**

DESIGNED	JWF	APPROVED	PFM	SCALE	NTS
DRAWN		DATE	10/9/06		STD-011